

产品特点 Features of product

- RAL7035的主体配合RAL5018的装饰条彰显柜体高品质
- 监视区配有无反射安全玻璃确保安全可靠
- 九折型材的框架确保内部安装的灵活便利
- 前下柜门配用豪华摇把锁，检修门配用标准平面锁，搭配合理体现柜体设计人性化
- 极具人性化设计的键盘鼠标系统彰显柜体品质
- Main body in RAL7035 fitted with decoration strips in RAL5018 presents high-end quality of cabinet body
- Surveillance area is equipped with non-reflect safety glass to ensure safety and reliability
- Frame made of nine-fold section ensures flexibility and convenience of internal installation
- The front lower door is arranged with a luxury handle lock and the access door arranged with a standard flat lock, reasonably embodying humanized design of cabinet body.
- Humanized design of keyboard and mouse system reveals high quality of cabinet body

PC系列订货规格表 PC series order specification table

*可定制非标产品
Nonstandard products are customizable

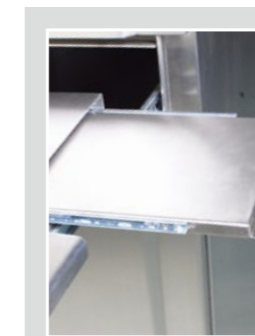
序号 No.	订货号(RAL7032) Order number (RAL7032)	订货号(RAL7035) Order number (RAL7035)	宽 Width	高 Height	深 Depth
1	PC601460002	PC601460005	600	1400	600
2	PC601470002	PC601470005	600	1400	700
3	PC601480002	PC601480005	600	1400	800
4	PC801460002	PC801460005	800	1400	600
5	PC601660002	PC601660005	600	1600	600
6	PC601680002	PC601680005	600	1600	800
7	PC801660002	PC801660005	800	1600	600
8	PC801680002	PC801680005	800	1600	800
9	PC601860002	PC601860005	600	1800	600
10	PC601880002	PC601880005	600	1800	800
11	PC801860002	PC801860005	800	1800	600
12	PC801880002	PC801880005	800	1800	800

*PC系列细节图见51页 *See Page 51 for PC Series Detail Drawing

BPC不锈钢电脑柜系列 BPC stainless steel combined cabinet series



材料 Material	SUS304 (其它材料型号可选) SUS304 (other material types are optional)
表面处理 Surface treatment	拉丝Wire drawing
防护等级 Protection grade	IP54 (按GB4205-1993) IP54 (in accordance with GB4205-1993)
标准配置 Standard configuration	柜体、后门板、前上玻璃门、前下钢板门、键盘抽屉、密封条、层板、门锁、脚轮(可选) Cabinet body, back door plate, front upper glass door, front lower steel door, keyboard drawer, sealing strips, laminated plate, door lock and casters (optional)
钢板厚度 Plate thickness	门板: 2.0mm 层板: 2.0mm 框架: 九折型材1.5mm Door plate: 2.0mm Laminated plate: 2.0mm Frame: nine-fold section 1.5mm



抽出式鼠标垫
Draw-out mouse pad



键盘抽屉
Keyboard drawer



层板
Laminated plate

产品特点 Features of product

- 全拉丝的表面以及精致的不锈钢附件彰显柜体奢华本色
- 极具人性化的鼠标键盘设计以及灵活方便的内安装空间
- 采用九折型材整体焊接成型的柜体不但确保高强度而且使柜体防护等级达到IP54，同时具备在恶劣环境下的防护能力
- 监视区配备无反射的安全玻璃确保安全可靠
- 可选的高性能脚轮系统确保柜体在现场的机动性
- Full-wire drawing surface and delicate stainless steel accessories show luxury character of cabinet body
- Humanized design of mouse and keyboard and flexible and convenient internal installation space are available
- Cabinet body made of nine-fold section by means of whole welding not only ensures high strength but also lets the protection grade of cabinet body reach IP54, thus having protection capability in severe environments
- Surveillance area is provided with non-reflect safety glass to ensure safety and reliability
- Optional high performance caster system can guarantee mobility of cabinet body on the site

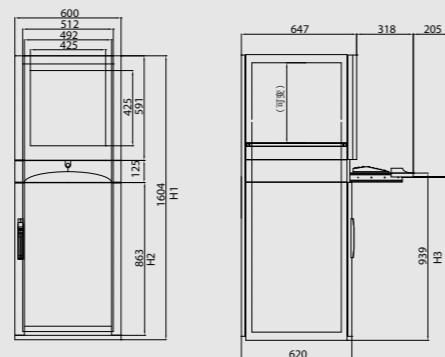
BPC系列订货规格表 BPC series order specification table

*可定制非标产品
Nonstandard products are customizable

序号No.	订货号Order No.	宽 Width	高 Height	深 Depth
1	BPC6014600304	600	1400	600
2	BPC6014700304	600	1400	700
3	BPC6014800304	600	1400	800
4	BPC8014600304	800	1400	600
5	BPC6016600304	600	1600	600
6	BPC6016800304	600	1600	800
7	BPC8016600304	800	1600	600
8	BPC8016800304	800	1600	800
9	BPC6018600304	600	1800	600
10	BPC6018800304	600	1800	800
11	BPC8018600304	800	1800	600
12	BPC8018800304	800	1800	800

PC/BPC系列细节图 PC/BPC series detail drawing

H1: 总高度
H2: 前下门的高度
H3: 键盘抽屉离地的高度
H1: Total height
H2: Height of front lower door
H3: Distance of keyboard drawer from the ground



KS豪华控制柜系列 KS luxury control cabinet series



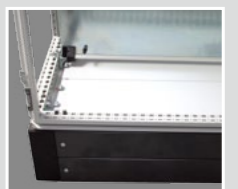
材料 Material	冷轧钢板 Cold-roll steel sheet
表面处理 Surface treatment	机柜磷化底涂处理，外部为粉末涂层，颜色可分RAL7032和RAL7035两种织纹，安装板则为镀锌 Cabinet is applied with etch primer and covered with powder coating on the outer side. Two color textures, RAL7032 and RAL7035, are available. The mounting plate is galvanized.
防护等级 Protection grade	IP54 (按GB4205-1993) IP54 (in accordance with GB4205-1993)
标准配置 Standard configuration	前门、背板、柜体、安装板、密封条、门锁、侧板(可选) Front door, back plate, mounting plate, cabinet body, sealing strip, door lock and side plate (optional)
钢板厚度 Plate thickness	框架: 15折型材1.5mm 门板: 2.0mm 背板、侧板: 1.5mm 安装板: 2.5mm Door plate: 2.0mm Back plate and side plate: 1.5mm Mounting plate: 2.5mm



并柜件并柜件Cabinet combination piece



四点门锁
Four-point door lock



活动底座
Movable base



165° 高铰链强度/PU发泡/加强方管
165° high hinge strength/PU foaming/reinforced square pipe



专业三通与独特的角连接设计保证柜体强度/
Design of professional three-way joint and special corner joint ensures strength of cabinet body



门锁
Door lock